

PRIMUS



CARAVITA[®]
Assembly and operating instructions

1 Foreword

Foreword

We are pleased that you have chosen our product. By purchasing a CARAVITA product, you have opted for quality, made from the best materials and designed to meet the highest standards. Read the instructions in this document carefully to set up the product safely. Always observe the safety instructions listed and do not carry out any modifications to the product yourself.

Imprint

© Copyright

This publication, including the document, is protected by copyright. Any utilisation or use requires the prior written consent of CARAVITA GmbH. This applies in particular to reproduction, distribution, editing, translation, microfilming and storage and processing in electronic systems, including databases and online services. Any violations will be subject to compensation for damages.

CARAVITA GmbH
Hans-Wilhelm-Renkhoff-Straße 2 D-
97828 Marktheidenfeld
Phone: +49-8458-60389-0
Email: info@caravita.eu
www.caravita.de

Table of contents

Table of contents

1	Foreword.....	3
2	Introduction	5
2.1	Safety information.....	5
2.2	Information on the target group and application of the instructions	5
2.3	Explanation of signal words.....	5
2.4	Basic safety instructions	5
3	Product information.....	7
3.1	Intended use.....	7
3.2	Part name	7
4	Assembly	8
4.1	Unpacking the product.....	8
4.2	Transporting the product	9
4.3	Scope of delivery	9
4.4	Set up and attach the sunshade.....	10
5	Commissioning	12
6	Operation	13
6.1	Opening the sunshade roof	13
6.2	Close sunshade roof.....	15
6.3	Using the telescopic push rod (optional)	17
7	Maintenance and care	19
8	Storage	20
9	Troubleshooting	21
10	Warranty conditions	22
11	Other information	22

2 Introduction

2.1 Safety information

It is important for the safety of persons to follow the instructions. Failure to observe the instructions may result in personal injury and/or damage to property when using the product. Failure to comply shall release Caravita from liability.



Warnings are labelled with this or a similar symbol in the instructions.



- Read the instructions before assembly and use of the product!
- Observe the safety, setting, operating and maintenance instructions!
- Give the instructions to the new owner when passing on the product!
- Keep the instructions until the product is disposed of!

2.2 Information on the target group and application of the instructions

Target group

The instructions are intended for persons who assemble, operate, maintain and/or service the product.

For assembly, knowledge of occupational safety, accident prevention regulations, handling ladders, installation of fastening materials, commissioning and operation of the product must be available.

If one of these qualifications is not available, a specialised installation company must be commissioned.

Contents

These instructions belong to the following product:
Caravita Primus

2.3 Explanation of the signal words



DANGER

Indicates an imminent danger that will result in death or serious injury.



WARNING

Indicates a potentially imminent danger that could lead to death or serious injury.



CAUTION

Indicates a possible imminent danger that could lead to minor injuries.



NOTE

Indicates a potentially imminent situation that could lead to product or property damage.

2.4 Basic safety instructions

The safety instructions and warnings listed serve to protect your health and the product. The instructions must be read carefully and followed.

Damage caused by improper handling or failure to follow the instructions is not covered by the warranty. No liability is assumed for consequential damage!

General safety instructions



DANGER

Danger to life and limb if the sunshade falls over

The sunshade can tip and fall over due to weather conditions or mechanical impact with its heavy weight.

- Only use the sunshade for its intended purpose.
- In strong winds and thunderstorms, dismantle the sunshade or do not set it up.
- Do not climb on the sunshade.
- Do not leave children near the sunshade without supervision.
- Do not use the sunshade without a suitable stand.
- Do not leave the sunshade unattended.
- Only set up the sunshade when it is fully raised.



DANGER

Fire hazard due to flying sparks

The fabric of the sunshade is flammable.



DANGER

Danger to life and limb from lightning strikes

The sunshade can become a lightning conductor.

- Never seek shelter under a sunshade during thunderstorms.



DANGER

Choking hazard due to packaging material

Plastic films, polystyrene parts and small parts from the packaging can become dangerous toys for children.

- Keep children away from small parts.
- Do not leave packaging material lying around carelessly.



CAUTION

Risk of injury due to tipping

Carelessness can cause the sunshade to tip over with its heavy weight.

- Two people are always required for assembly.
- The base must be designed with sufficient ballast to prevent the closed sunshade from tipping over in strong winds.



WARNING

Risk of injury to uninvolved persons

If people are within the opening radius of the sunshade canopy, they may be injured if they are not careful when opening the canopy.

- Before opening the sunshade roof, ensure that no bystanders are within the opening radius of the sunshade roof.

Operation

Operating a defective product can injure people and/or damage neighbouring parts.

- ▶ The product may only be operated if it is in perfect technical condition.

Assembly preparation

Incorrect assembly can impair the safety, function and service life of the product. Persons may be injured and/or the product or neighbouring parts may be damaged.

- ▶ The specified assembly steps and their sequence must be observed.
- ▶ The product may only be installed if it is in perfect technical condition.
- ▶ The assembly substrate must be checked for load-bearing capacity before mounting.

3 Information about product

Product description

The Primus sunshade provides protection from direct sunlight and some protection from the weather. Primus impresses with its fast handling and uncomplicated cable pull technology. This makes the sunshade light and mobile.

Primus is available with an aluminium frame and as the Primus Wood model with a solid ash wood frame.

The fabric of the sunshade roof is made of easy-care and washable material. The shape of the sunshade roof is available in different designs.

Technical data

CARAVITA products are exclusively customised and made to measure. Dimensions and weight vary depending on the model version.

The exact weight and size of the product can be found on the order or delivery note.

3.1 Intended use

The following information applies to the following product:

Caravita Primus

The product is an external sun shading system that is used to protect against heat and glare in summer. The product is free-standing and is used to shade open spaces.

The product is to be used as sun protection and not as rain protection.

Misuse can result in considerable hazards.

Additional loads on the product due to suspended objects or cable tensioning can lead to damage or falling and are therefore not permitted. Caravita is not liable for any damage resulting from this.

Intended use also includes observing these instructions and complying with the maintenance specifications contained therein.

3.2 Part name

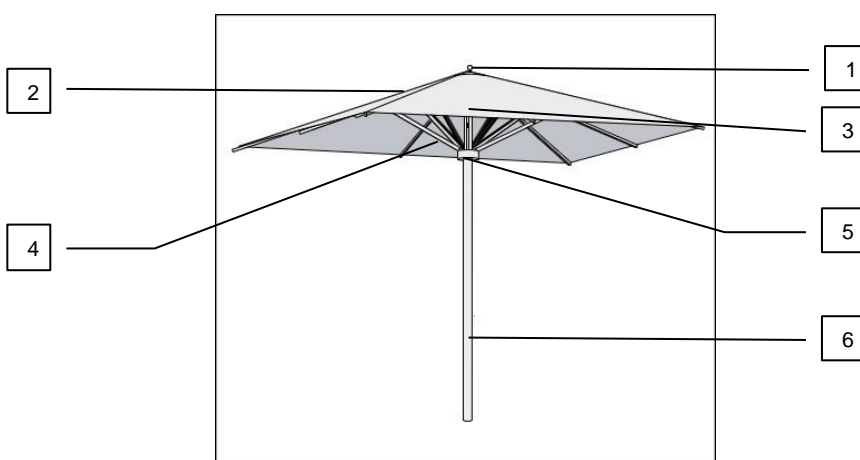


Fig. 1: Part name

- | | | | |
|---|----------------|---|---------------|
| 1 | Cover cap | 4 | Support strut |
| 2 | Strut | 5 | Wreath |
| 3 | Sunshade cover | 6 | Pole |

4 Assembly



CAUTION

Risk of injury due to tipping during assembly

Tipping or dropping the product can result in serious injuries.

- 2 people are required to assemble and set up the product.
- Mount the product on a level surface.



NOTE

When installing several sunshades, a distance of at least 20 cm must be maintained between the individual sunshades.

We are happy to answer questions about assembly by e-mail or via our service hotline. The contact details are listed on the first and last page of this document.

4.1 Unpacking the product



DANGER

Choking hazard due to packaging material

Plastic films, polystyrene parts and small parts from the packaging can become dangerous toys for children.

- Keep children away from small parts.
- Do not leave packaging material lying around carelessly.



NOTE

The cardboard box is reused as a space-saving storage box for storing the sunshade.

- Do not cut or tear the box when unpacking.

Remove the sunshade from the packaging

- 1 Check the packaging for damage.
- 2 Carefully cut the adhesive tapes and plastic straps with a knife without damaging the sunshade in the box.
- 3 Carefully unpack the sunshade and the individual parts.
- 4 Check the contents of the packaging for completeness and defects.



NOTE

In the event of obvious defects in the packaging or incompleteness of the delivery, the specialised dealer, forwarding agent or manufacturer must be informed immediately in order to assert claims for damages and compensation.

- 5 Properly dispose of the remaining packaging material (polystyrene, plastic).

4.2 Transporting the product

The product can be transported easily and without additional aids.

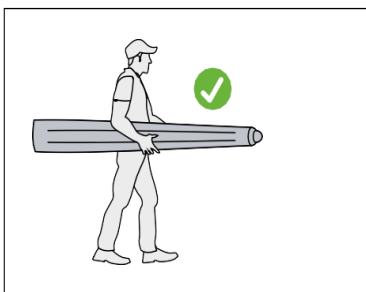


NOTE

Material damage due to cracks and bent struts

Careless transport can damage the sunshade roof.

- Do not pull the sunshade over the ground by the sunshade cover or the protective case.
- Do not carry the sunshade by individual sunshade struts.



Hold the sunshade with both hands during transport.

4.3 Scope of delivery

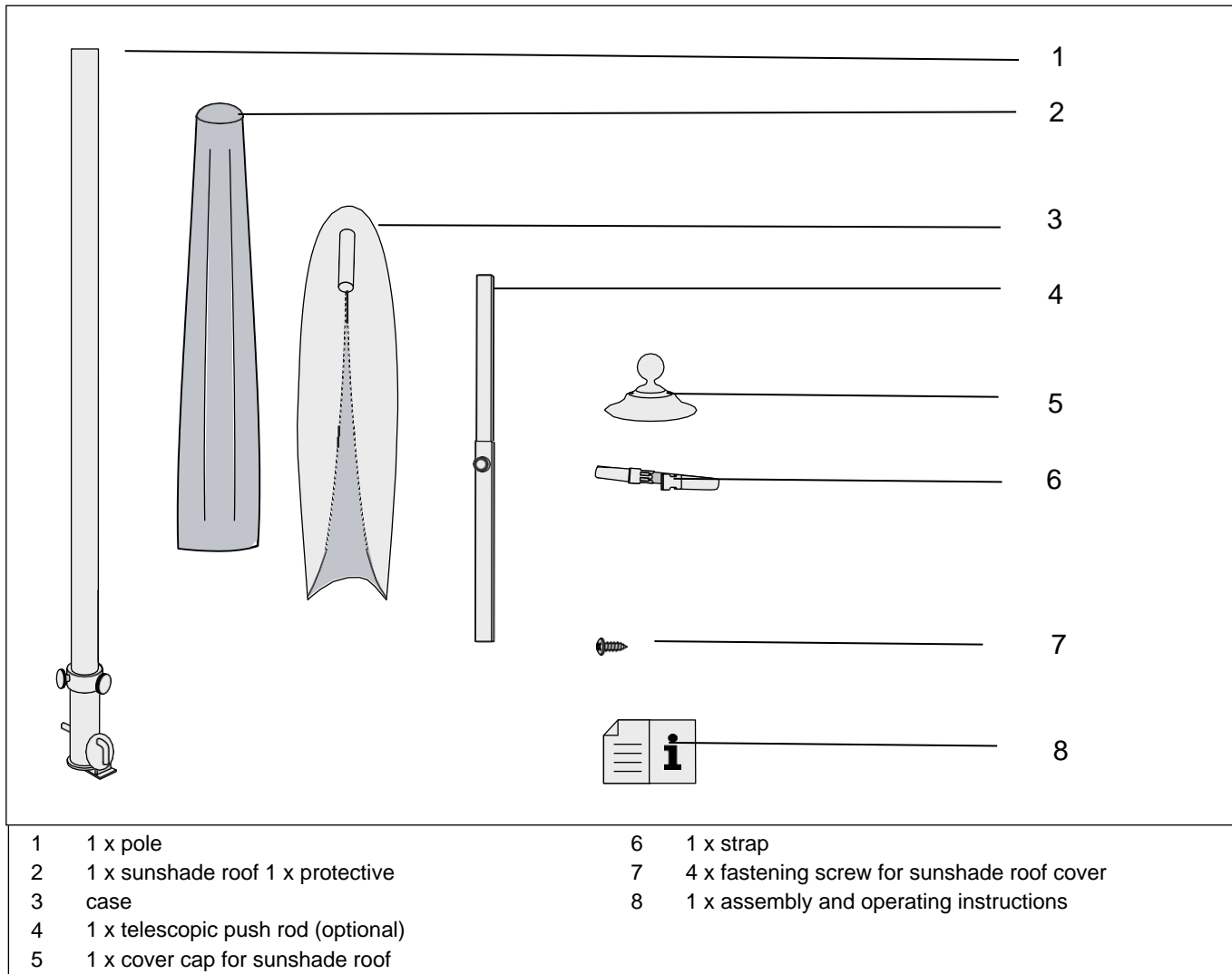


Fig. 2: Scope of delivery

4.4 Set up product



CAUTION

Risk of injury due to tipping

Carelessness can cause the sunshade to tip over with its heavy weight.

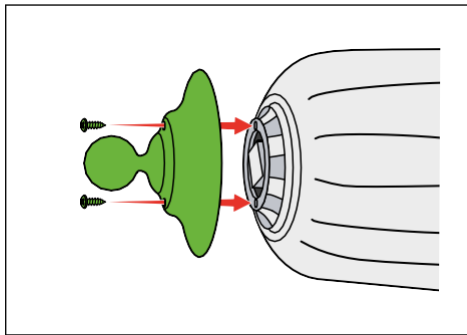
- Two people are always required for assembly.
- The base must be designed with sufficient ballast to prevent the closed sunshade from tipping over in strong winds.

Preparation

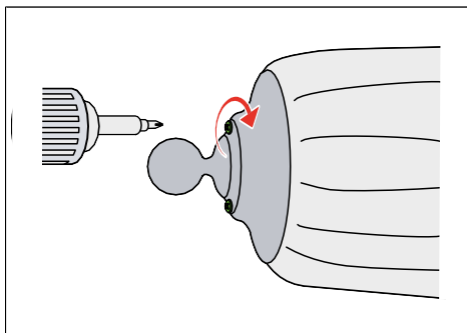
- For safety reasons, set up the sunshade with at least 2 people.
- Prepare the mobile stand or base sleeve according to the manufacturer's instructions.
- The mobile stand must be designed with sufficient ballast.
- Have the stainless steel screws and the Allen key included in the scope of delivery ready.
- Remove the protective case from the sunshade roof.
- Have a cordless screwdriver ready.

Assemble the aluminium canopy on the sunshade roof

- ▶ The protective case has been removed and the sunshade roof is lying on a clean surface.



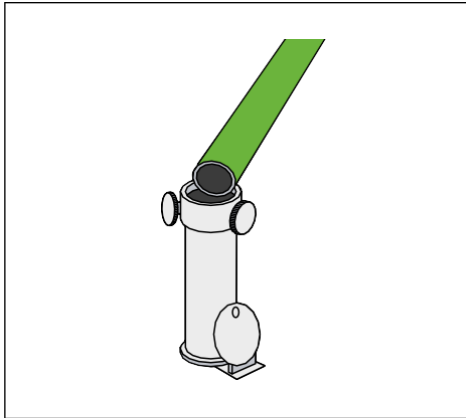
- 1 Insert the fastening screws into the aluminium cover cap.
- 2 Place the aluminium cover cap on the tip of the sunshade roof as shown.



- 3 Tighten the fastening screws with a cordless screwdriver.

Assemble the pole on the base

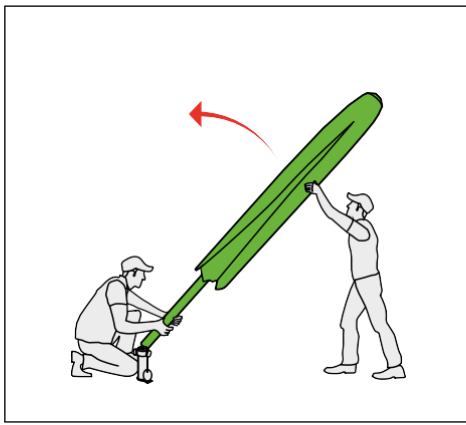
► The pole is positioned horizontally next to the base.



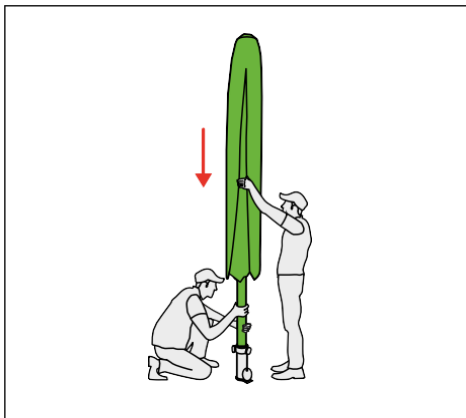
1 The 1st person inserts the lower end of the pole into the standpipe while the 2nd person raises the sunshade.

or:

1 The 1st person places their foot on the lower end of the pole and presses against it, while the 2nd person raises the sunshade.

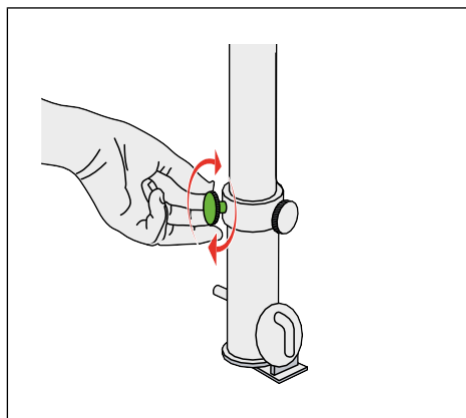


2 Lift the erected pole into the standpipe in pairs.



3 Anchor the sunshade pole securely in the standpipe.

4 Tighten the clamping screws.



5 Putting into use



WARNING

Risk of injury due to improper use of the sunshade. Improper use can result in personal injury.

- Do not reach into openings on the product during commissioning.
- Do not hang any foreign objects on the sunshade that are not expressly mentioned in the instructions.
- Remove snow or other external contamination.
- Close the sunshade in case of high wind loads.
- Before opening the sunshade roof, ensure that there are no bystanders within the opening radius of the sunshade roof.
- Keep children away from the controls.



CAUTION

Material damage due to improper use of the sunshade.

Improper use can damage the sunshade.

- Do not light an open fire under the sunshade.
 - Remove snow or other external contamination.
 - Close the sunshade in case of high wind loads.
 - Do not hang on the sunshade or other components.
 - Sunshade can tip over if you are not careful.
 - Do not hang any foreign objects on the sunshade that are not expressly mentioned in the instructions.
 - Remove obstacles from the travelling area.
- Do not force the sunshade open.



- 1 Remove the protective case.
- 2 Open the sunshade, see chapter [„Opening the sunshade roof“, page 13](#)
- 3 Close the sunshade
- 4 Attach the protective case

6 Operation

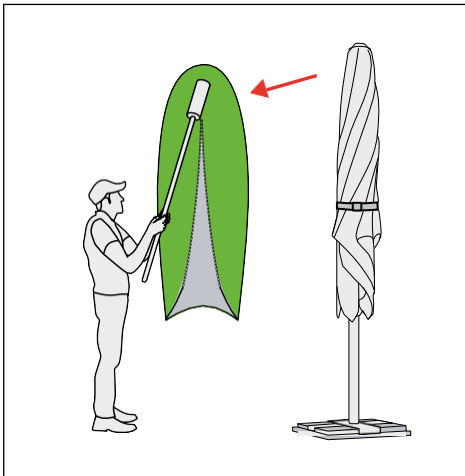


CAUTION

Risk of crushing due to carelessness when operating!

Persons in the travelling area may be injured.

- Keep travelling area clear of people!
- Keep children away from the controls!



Remove the protective case.

Using the telescopic rod, see [Chapter: Using the telescopic push rod \(optional\), page 17](#)

Chapter: [Using the](#)

6.1 Open the sunshade roof



WARNING

Risk of injury to uninvolved persons

If people are within the opening radius of the sunshade canopy, they may be injured if they are not careful when opening the canopy.

- Before opening the sunshade roof, ensure that no bystanders are within the opening radius of the sunshade roof.

The plastic nets attached to the struts serve as protection against transport damage. If the sunshade roof is open, these can be carefully removed with a knife or scissors.



INFO

When removing the plastic nets with scissors or a knife, do not damage the fabric of the sunshade roof.

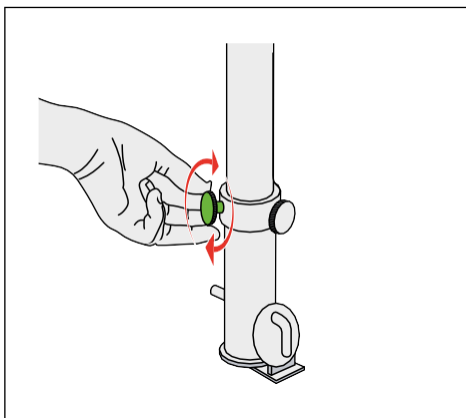


NOTE

Material damage due to incorrect pulling apart of the struts

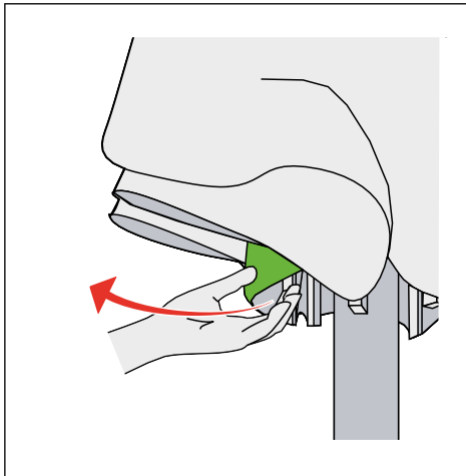
- If the sunshade does not open or close easily, call our service hotline or rectify the problem via the chapter [see chapter 9/page 21.](#)

- ▶ The sunshade is securely fastened in the base sleeve or mobile stand.
- ▶ The strap is removed.
- ▶ The protective case has been removed.



1 Check the stability of the sunshade:

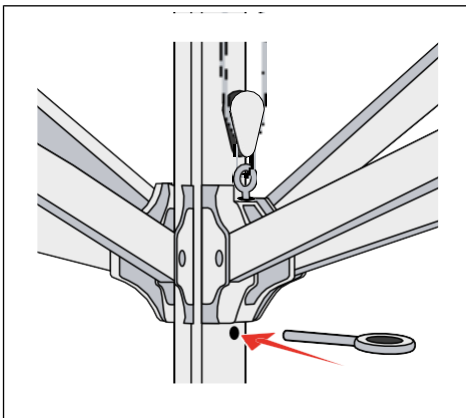
- ▶ The sunshade pole is well anchored in the standpipe. The ▶ clamping screws are tightened.



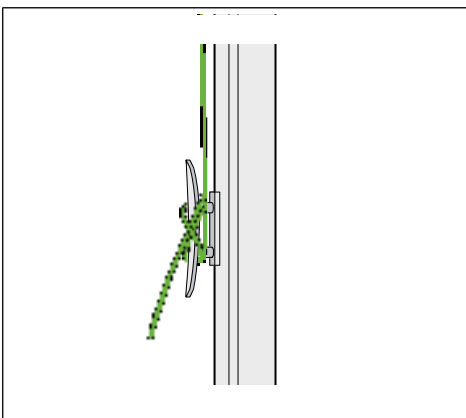
- 2 Pull the struts slightly outwards.
▶ The struts are loosened.



- 3 Grasp the pull rope under the cover.
- 4 Pull the pull rope until the sunshade fabric is taut.



- 5 Insert the locking pin through one of the holes in the pole.
▶ The sunshade should be easy to open.



- 6 Attach the loose pull rope to the rope winder.

**INFO**

The rope winder is only installed as standard on sunshades up to 4 m round or 3 x 3 m square.

6.2 Close sunshade roof



CAUTION

Risk of injury due to tipping

Carelessness can cause the sunshade to tip over with its heavy weight.

- The base must be designed with sufficient ballast to prevent the closed sunshade from tipping over in strong winds.

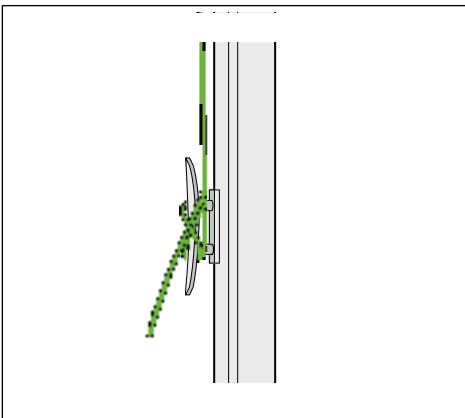


NOTE

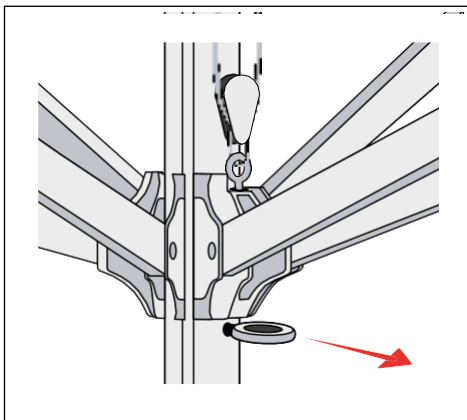
Material damage due to abrasion of the sunshade fabric

Permanent flapping in the wind can damage the sunshade fabric by rubbing against the struts. No claims for damages can be asserted against CARAVITA for this.

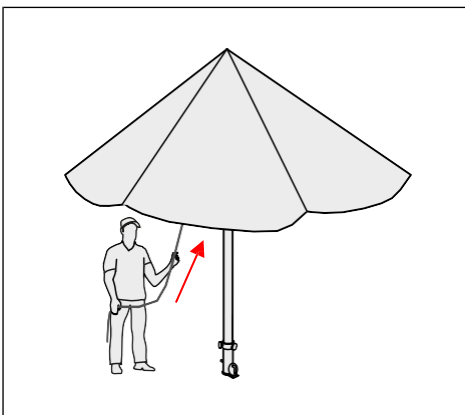
- Always secure the closed sunshade roof with the strap.
 - ▶ Get the strap ready.
 - ▶ Prepare the protective case



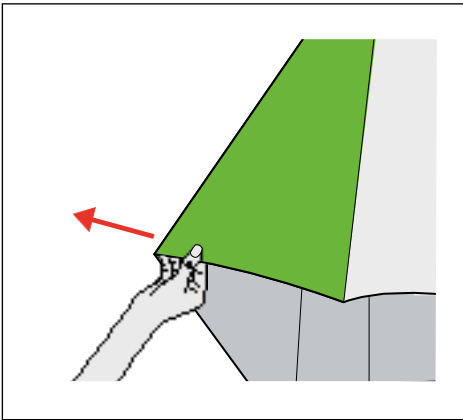
- 1 Detach the pull rope from the rope winder.
- 2 Hold the pull rope taut with one hand.



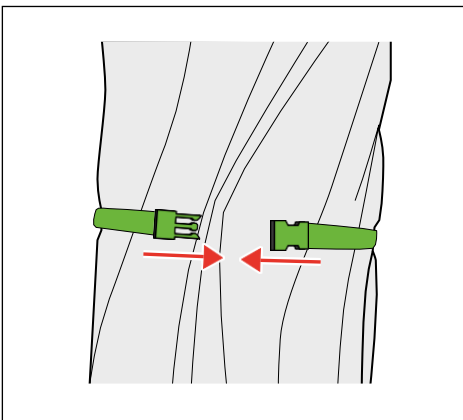
- 3 Pull the locking bolt out of the device with the other hand.



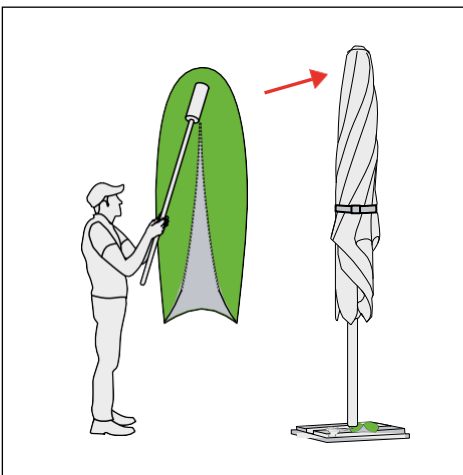
- 4 Lower the sunshade slowly.



- 5 Pull the sunshade fabric out from between the struts to prevent it from becoming trapped or damaged.



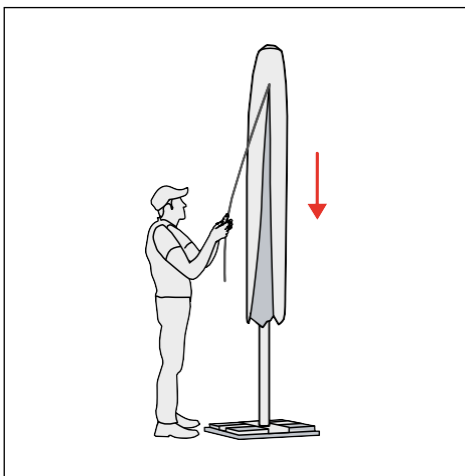
- 6 Secure the closed sunshade roof with the strap.



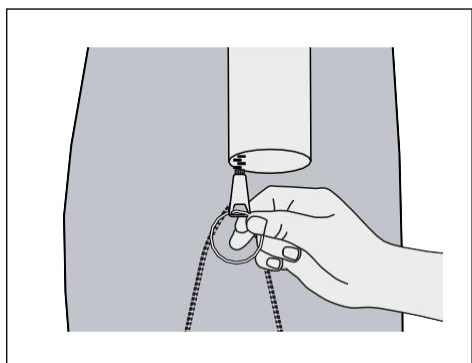
- 7 Cover the sunshade roof with the protective case.

INFO

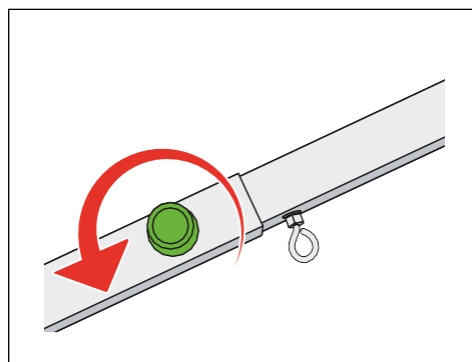
The telescopic push rod is used for easier operation during activities such as pulling over the protective case. A telescopic push rod must be ordered separately, it is not included as standard.



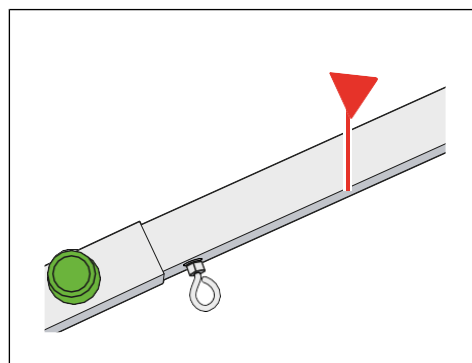
6.3 Using the telescopic push rod (optional)



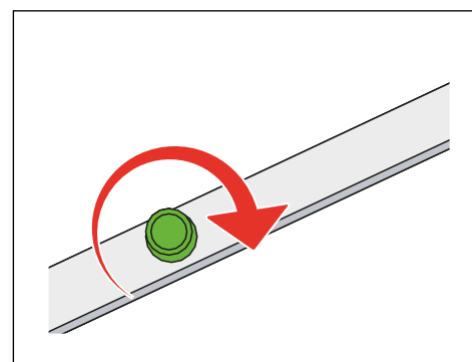
5 Attach the key ring to the zip of the protective case.



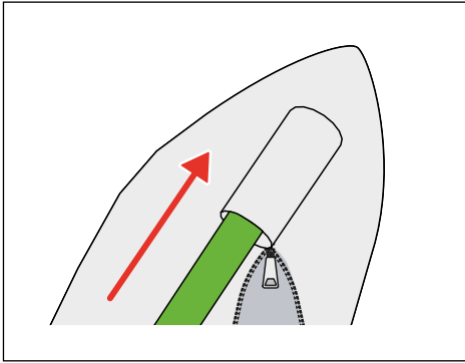
2 Open the knurled screw on the telescopic push rod.



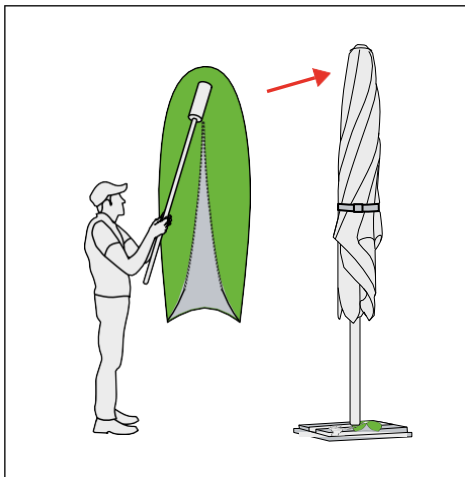
3 Pull the telescopic push rod to the required length.



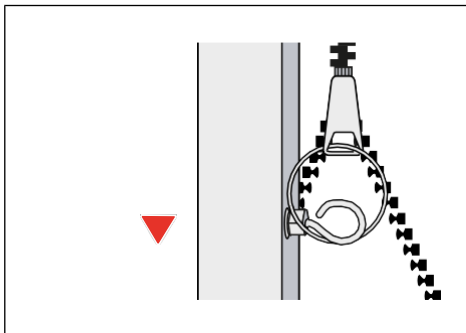
4 Tighten the knurled screw on the telescopic push rod.



5 Insert the telescopic push rod into the pocket of the protective case.



6 Lift the protective case over the sunshade using the telescopic push rod.



7 Attach the eyebolt of the telescopic push rod to the key ring on the zip of the protective case.

7 Maintenance and care

Sunshade fabric



NOTE

Material damage to the sunshade fabric due to incorrect cleaning and cleaning agents

The acrylic fabric of the sunshade roof is impregnated and requires special cleaning and cleaning agents.

- Always wash the sunshade fabric in cold water.
- Do not use a high-pressure cleaner to clean the sunshade fabric.
- Avoid strong friction during cleaning, e.g. with hard brushes or sponges.

Cleaning the sunshade fabric

- If possible, remove fallen leaves (foliage) immediately (starting point for microbial infestation).
- Dry-brush out the dirt at regular intervals.
- Treat light stains with lukewarm water and a soft brush.
- Treat stubborn stains by hand washing with a little commercial mild detergent, rinse well with clear water, leave to dry and treat with impregnating agent.

Bracket and pole

Clean and maintain bracket and pole

- Wash the surfaces with a gentle cleaning agent.
- Refresh the stainless steel parts with commercially available stainless steel polish.
- Use spray oil or silicone spray at regular intervals to protect joints and rollers against corrosion.

8 Storage



NOTE

Material damage due to abrasion of the sunshade fabric

Permanent flapping in the wind can damage the sunshade fabric by rubbing against the struts. No claims for damages can be asserted against CARAVITA for this.

- Always secure the closed sunshade roof with the strap.



NOTE

Material damage due to mould

If the protective case is pulled over the damp fabric, mould will form.

- Only cover the protective case when the fabric is completely dry.

The sunshade can be stored outdoors and in a protected, dry room. For both options:

- Secure the sunshade roof with straps.
- Allow the fabric to dry completely before storing.
- Put the protective case on.

Outdoor storage



CAUTION

Risk of injury due to tipping

Carelessness and strong winds can cause the sunshade to tip over with its heavy weight.

- The mobile stand must be designed with sufficient ballast to prevent the closed sunshade from tipping over.

Storage in a dry room

The following applies to storage in a dry room:

- Pack the sunshade in the box in which it was delivered.
- Store the sunshade horizontally in a dry room.

9 Troubleshooting

If the sunshade malfunctions and cannot be rectified with the help of the following instructions, please contact us via our CARAVITA service hotline. You will find the contact details on the first and last page of these instructions.

The following malfunctions can occur when using the sunshade:

Problem	Cause	Rectification
The sunshade roof can no longer be opened or closed.	Rope has become jammed between the struts.	<ul style="list-style-type: none"> ■ Pull out and release the rope by hand. Then tighten and pull out the locking pin. ■ When opening, pull the struts slightly outwards, then pull the operating cord
and the zip of the protective case will jam.	<p>The fabric of the sunshade fabric has got caught in the zip teeth.</p> <p>The zip is dirty.</p>	<ul style="list-style-type: none"> ■ Release the fastener with slight forwards and backwards movements. ■ Rub a little curd soap into the zip fastener.

Warranty conditions

10 Warranty conditions

The following warranty conditions apply: www.caravita.de/garantie



11 Other notes

Please observe the general safety instructions:

www.caravita.de/hinweise





CARAVITA[®]
www.caravita.de

Part of
WAREMA GROUP

Primus_2023_08_01

Subject to printing errors, changes and deviations.
CARAVITA GmbH - Hans-Wilhelm-Renkhoff-Straße 2 - 97828 Marktheidenfeld – Germany
www.caravita.de